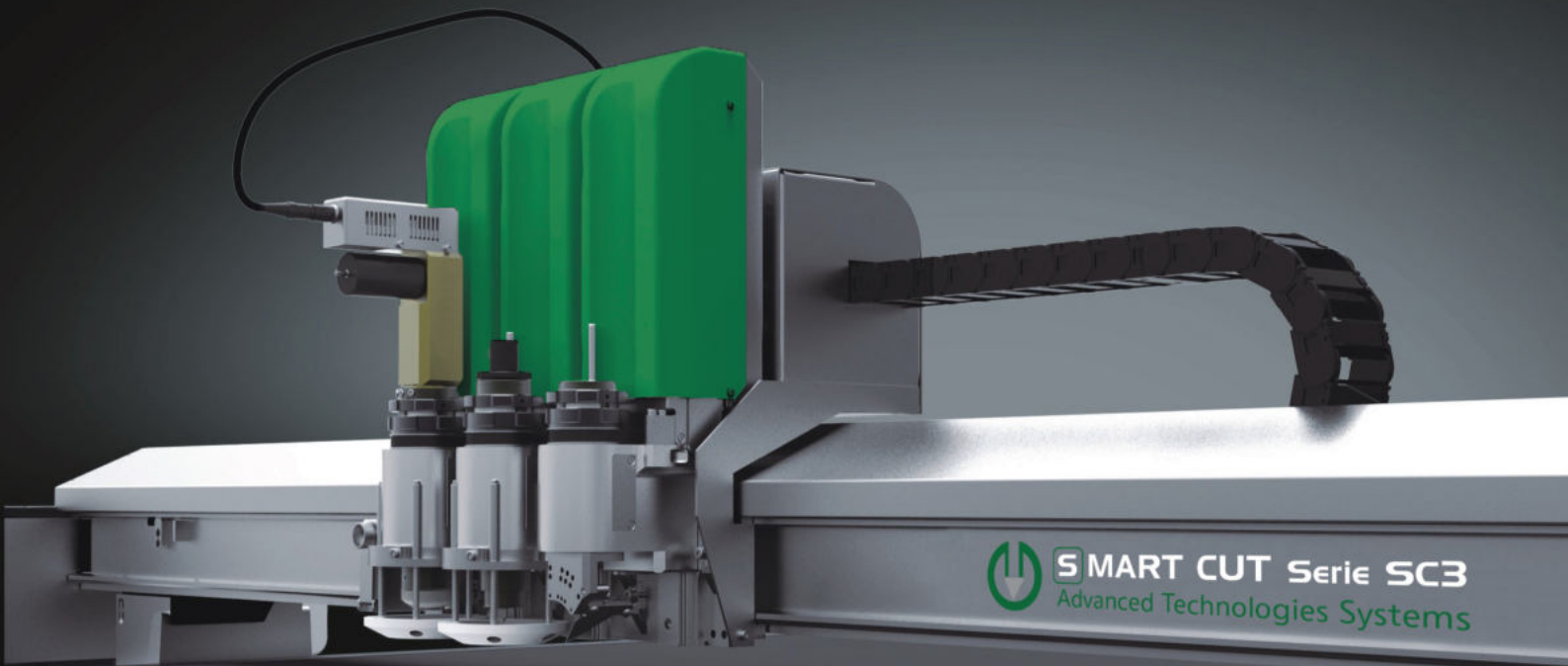




SMART CUT

SC3 HIGH SPEED DIGITAL CUTTING SYSTEM



The Smart Crystal (Thailand) Co., Ltd.

Tax ID : 010555619488

Showroom : 36 Soi. Kumkiao 24 Lamplatew Latkabang
Bangkok 10520

Contact : 092-336-6569, 097-940-4134, 096-826-7555
For English 084-774-9585

Website : <https://www.smartcrystal.co.th>

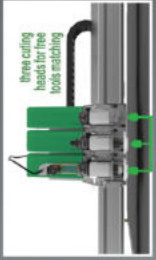
The SC3 Automatic Knife Initialization
Control the cutting depth accuracy with displacement sensor through automatic knife initialization.



Precise Automatic Positioning System
With high precision CCD camera, SC3 realizes the precise position and registration cutting for different materials. It solves the problems of manual positioning deviation and print deformation.



Efficient Cutting Heads
The max cutting speed is 1.5m/s (4-6 times faster than manual cutting), which considerably increase the production efficiency.



The SC3 Continuous Cutting System
Intelligent conveyor system makes feeding, cutting and collecting to work cooperatively. Continuous cutting function can cut the long pieces, saving labor cost and increasing productivity.



Aviation Aluminum Table
Equipped with Regional Air Suction, the table has a better suction effect.



The SC3 Motion Control System
CutterServer makes the cutting process smooth, efficient, perfect.

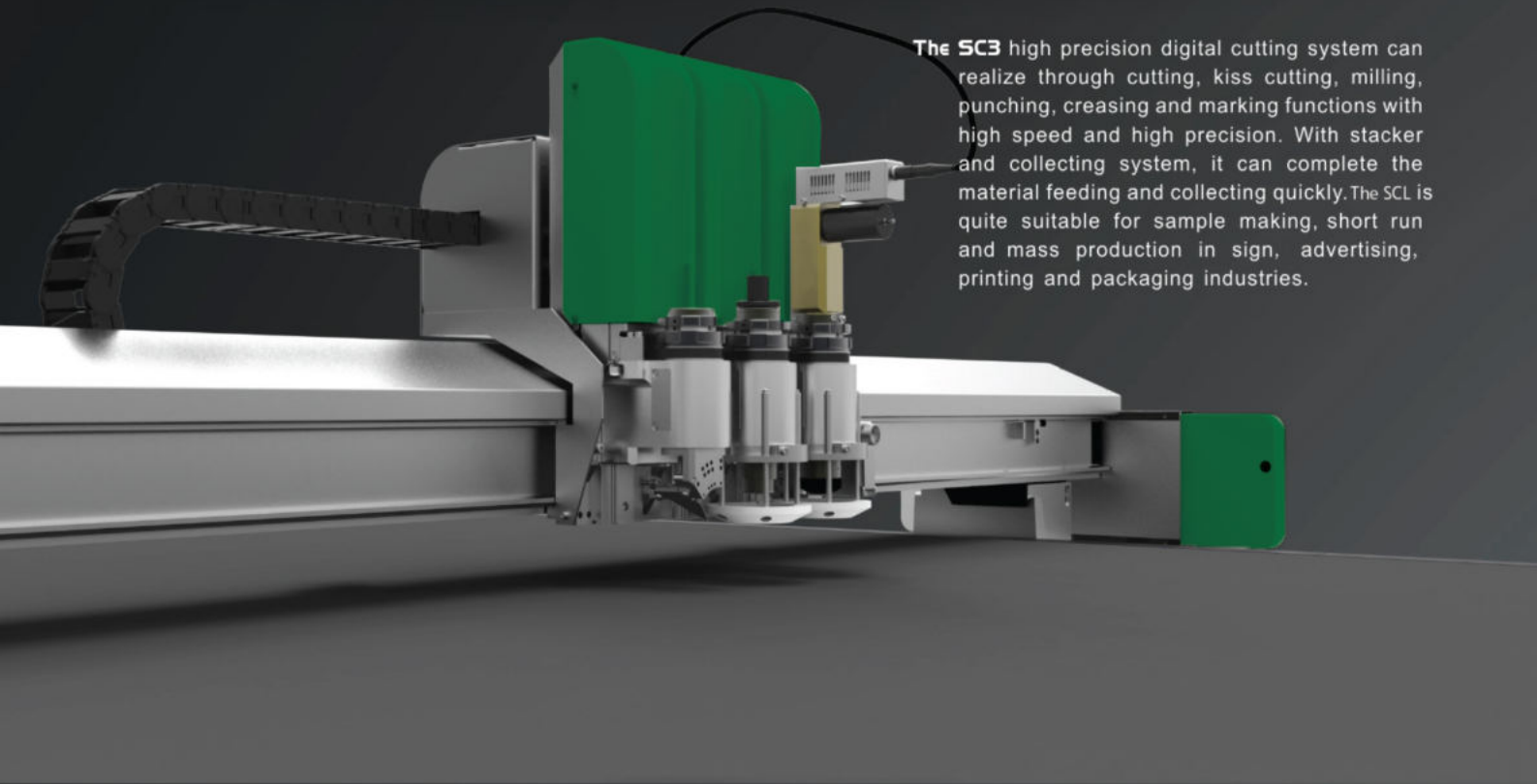


Safety Device
Safety device ensures the security of the operator.



SMART CUT SÉRIE SC3
Advanced Technologies Systems

SC3 HIGH SPEED DIGITAL CUTTING SYSTEM



The SC3 high precision digital cutting system can realize through cutting, kiss cutting, milling, punching, creasing and marking functions with high speed and high precision. With stacker and collecting system, it can complete the material feeding and collecting quickly. The SCL is quite suitable for sample making, short run and mass production in sign, advertising, printing and packaging industries.

PARAMETERS

Type	SC3 1713	SC3 2513	SC3 2517
Effective Cutting Area	1700mmx1300mm	2500mmx1300mm	2500mmx1700mm
Machine Dimension	2500mmx2100mm	3200mmx2100mm	3200mmx2400mm
Max Cutting Speed	1500mm/s		
Cutting Accuracy	0.1mm		
Max. Cutting Thickness	50mm		
Data Format	DXF, HPGL, PDF		
Interface	Serial Port		
Media	Vacuum System		
Pump Power	5.5KW / 7.5KW / 9KW		
Power	220V/50HZ 380V/50HZ		
Operating Environment	Temperature0°C-40°C Humidity20%-80%RH		



EOT Electronic Oscillating Knife for cutting soft and medium density materials, available with 1mm stroke.



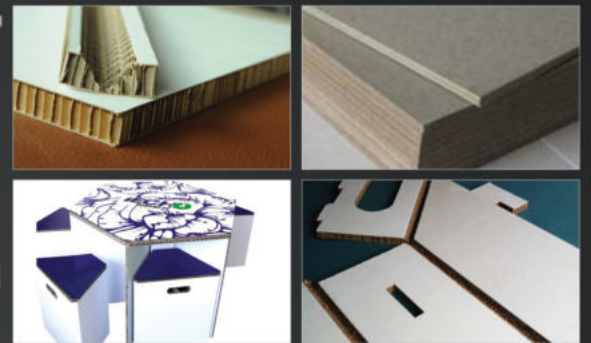
DRT Driven Rotary Tool for cutting textiles.



UCT Universal Cutting Tool, used for through-cutting materials with thicknesses up to 5mm, fast speed and low cost.



V-CUT The V-Cut Tool is perfect for producing complex structural designs from foam core or sandwich board materials. The tool can be set for cutting 5 different angles for different cutting requests. The 5 different angles are 0° ,15° , 22.5° ,30° ,45° respectively.



KCT Kiss Cut Tool, for cutting vinyl, foil, films, thin paper, cardboard and other thin materials.



CTT The Creasing Tool is used to do the creasing on the corrugated materials, different creasing tools for different materials can make perfect creasing.



RZ The router with high rotary speed up to 50000rpm, it delivers solid performance in a wide range of applications on the hard materials and soft form materials. It can do precise engraving like the Kiss-Cut tool. The special dust-extraction can reduce the waste effectively during the work.



POT The Pneumatic Oscillating Tool is an air-driven tool with high oscillating frequency. The stroke up to 8mm is suitable for cutting hard, high dense materials, it can cut materials up to 50mm thickness with special blade.

