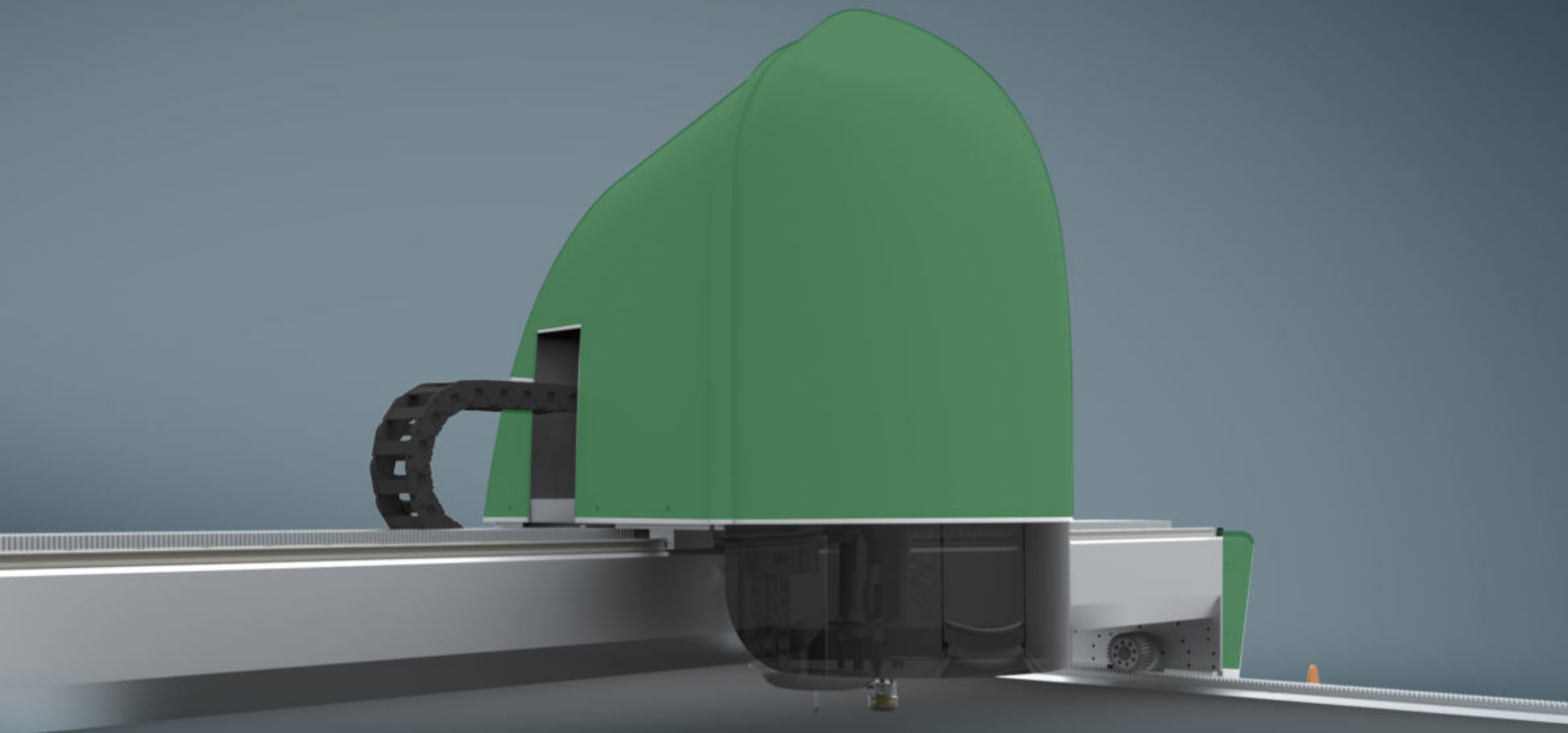




SMART CUT

GLS Automatic Multi-ply Cutting System



ADVANTAGES

KNIFE COOLING SYSTEM

Reduce tool heat to avoiding material adhesion.

KNIFE INTELLIGENT CORRECTION SYSTEM

Adjust cutting mode according to material differences.

CUTTERSERVER CUTTER SERVER CUTTING CONTROL SYSTEM

Self-developed, easy to operate; providing perfect smooth cutting.

INTELLIGENT FAULT DETECTION SYSTEM

Automatically inspect the operation of cutting machines, and upload data to cloud storage for technicians to check problems.

PUMP FREQUENCY CONTROL SYSTEM

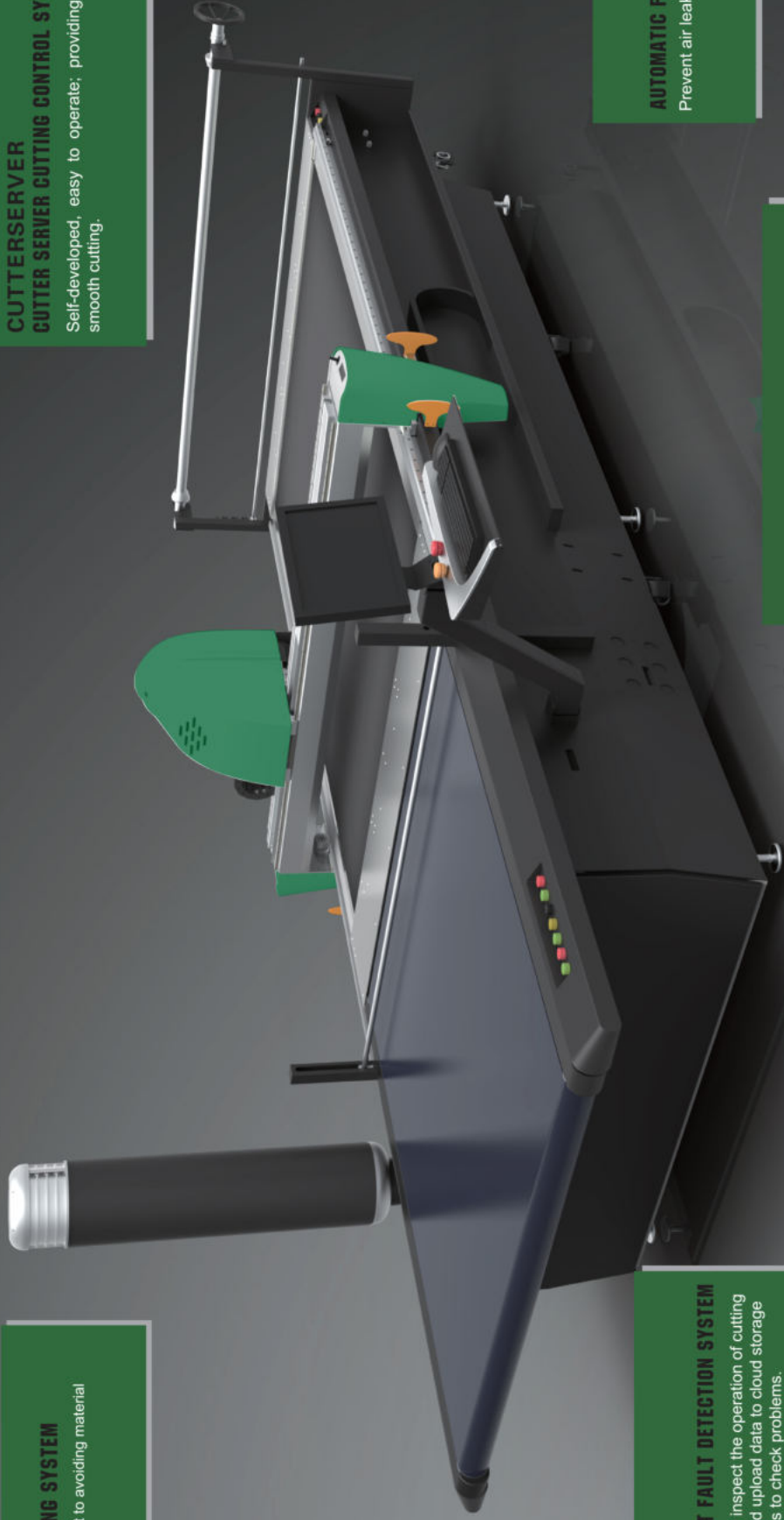
Automatically adjust the suction force, saving energy.

KNIFE SHARPEN COMPENSATION

Automatically compensate knife sharpen according to blade wear, improving cutting precision.

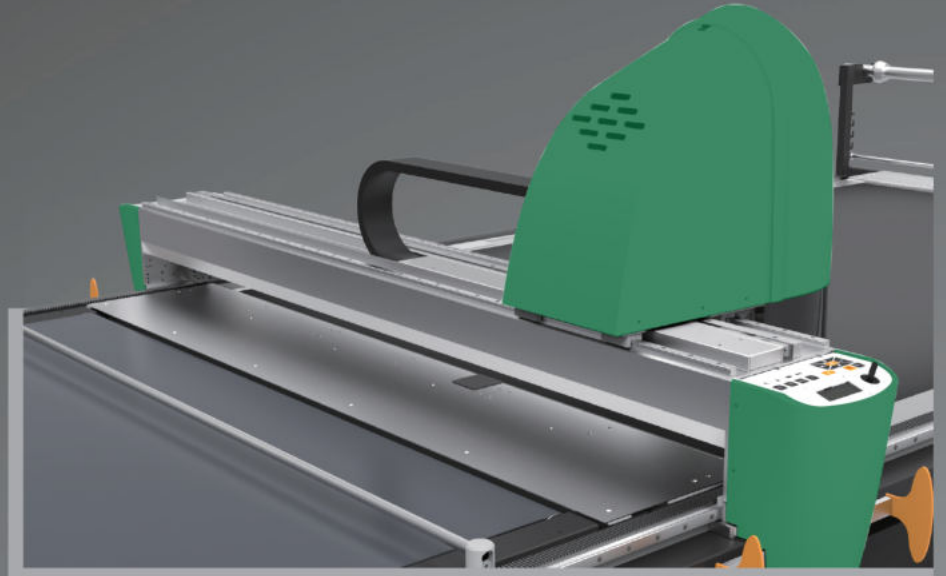
AUTOMATIC FILM MULCHING DEVICE

Prevent air leakage, saving energy.



COMPARISON BETWEEN DIGITAL CUTTING AND TRADITIONAL PRODUCTION

- Improve production environment.
- Improve production management.
- Improve material utilization.
- Improve production efficiency.
- Improve product quality.
- Improve corporate image.



PARAMETERS

Max Thickness	Max 75mm(With Vacuum Adsorption)
Max Speed	200mm/s
Max Acceleration	0.3G
Work Width	1.6m / 2.0m / 2.2m
Work Length	1.8m / 2.5m
Cutter Power	Single Phase 220V,50HZ,4KW
Pump Power	Three Phase 380V,50HZ,20KW
Average Power Consumption	<15Kw
Interface	Serial Port
Work Environment	(Temperature)0-40°C (Humidity)20%-80%RH

GLS Automatic Multi-ply Cutting System

GLS Automatic Multi-Ply Cutting System provides the best solutions for mass production in Textile, Furniture, Car interior, Luggage, Outdoor industries, etc. Equipped with SMART high speed Electronic Oscillating Tool (EOT), GLS can cut soft materials with high speed, high precision and high intelligence. SMART CUT SERVER Cloud Control Center has powerful data conversion module, which ensures GLS work with the mainstream CAD software in the market. GLS provides a strong technical support for customers to shift from traditional production mode to automatic production mode.



The Smart Crystal (Thailand) Co., Ltd.

Tax ID : 010555619488

Showroom : 36 Soi. Kumklao 24 Lamplatew Latkabang Bangkok 10520

Contact : 092-336-6569, 097-940-4134, 096-826-7555

For English 084-774-9585

Website : <https://www.smartcrystal.co.th>